

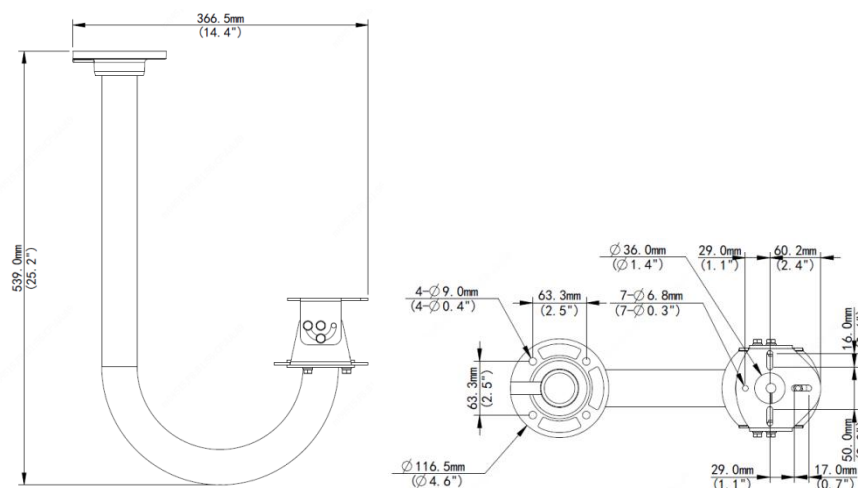
TR-CM06-C-IN OmniView Network Camera Pendant Mount



Specifications

| | |
|-------------|---|
| Bracket | TR-CM06-C-IN |
| Application | Indoor or outdoor, Multi-sensor Panoramic Network Camera Pendant installation |
| Dimensions | 539.0mmx366.5mmx116.5mm(25.2" x 14.4" x 4.6") |
| Weight | 1.63kg (3.59lb) |
| Material | Aluminum alloy |

Dimensions



Zhejiang Uniview Technologies Co.,Ltd.

South Tower, Building 10, Wanlun Science Park, 88 Jiangling Road, Hangzhou, P.R.China 310051

Email: overseasbusiness@uniview.com; globalsupport@uniview.com

<http://www.uniview.com>

©2019 Zhejiang Uniview Technologies Co.,Ltd. All rights reserved.

*Product specifications and availability are subject to change without notice.